

4

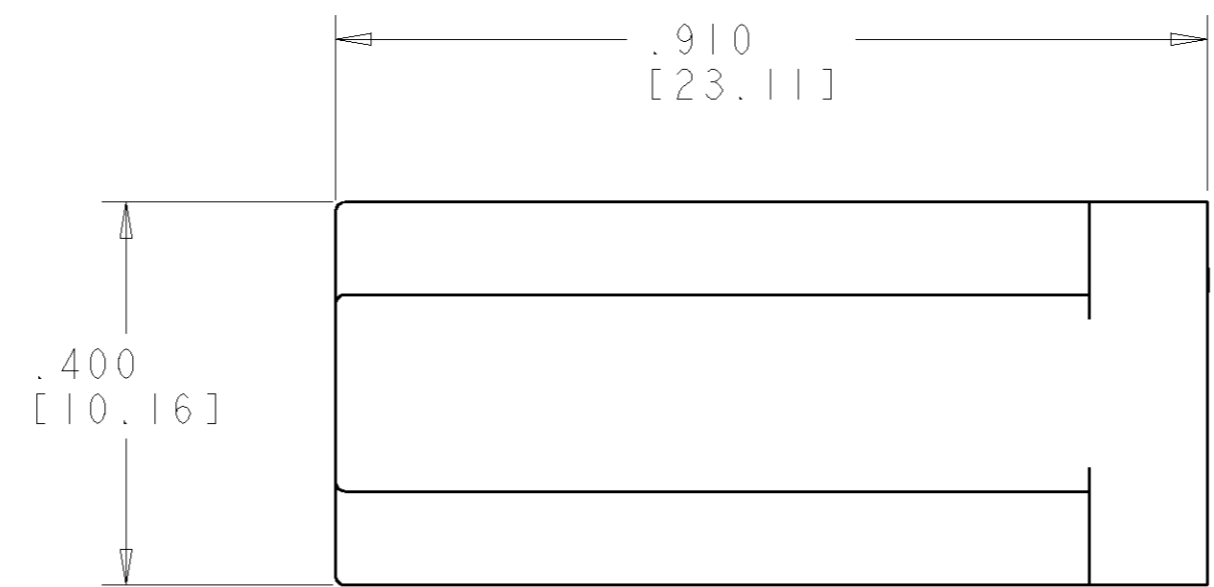
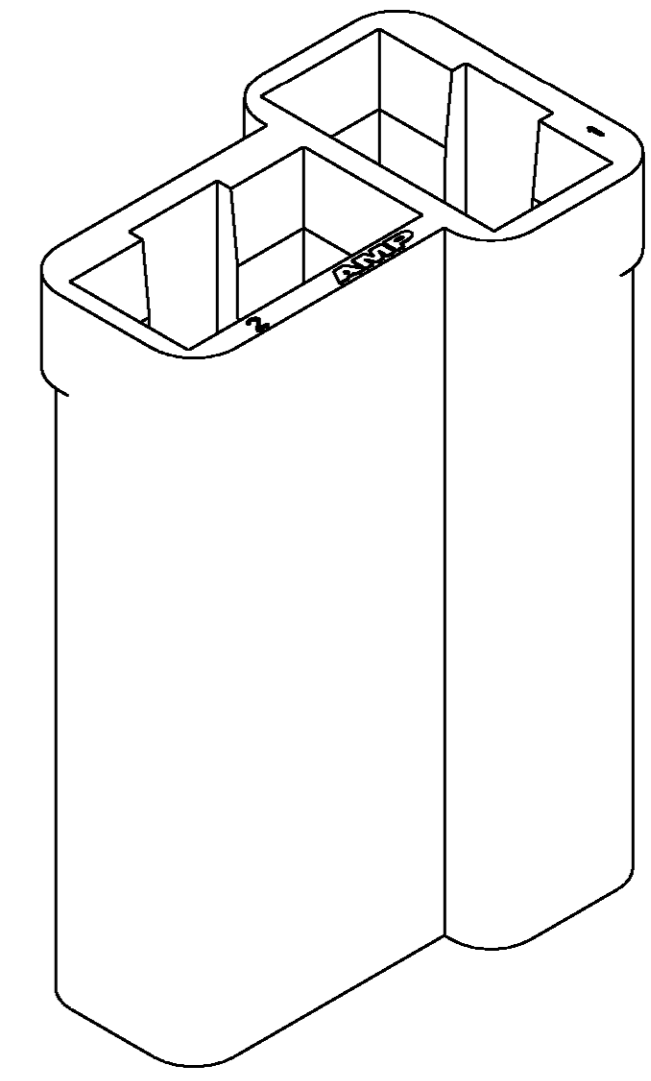
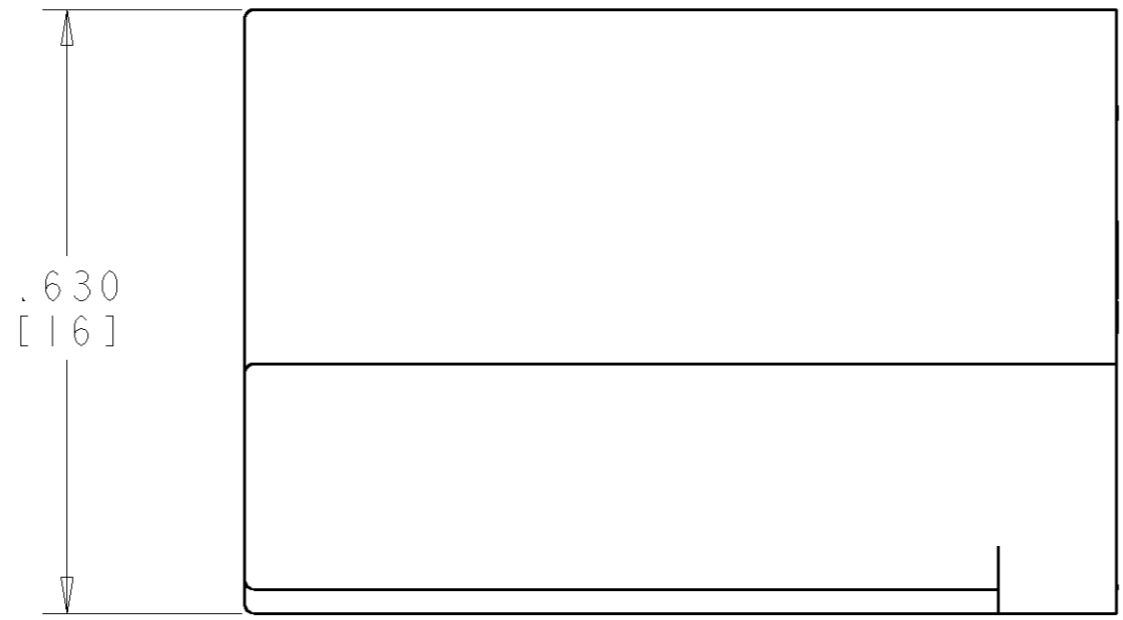
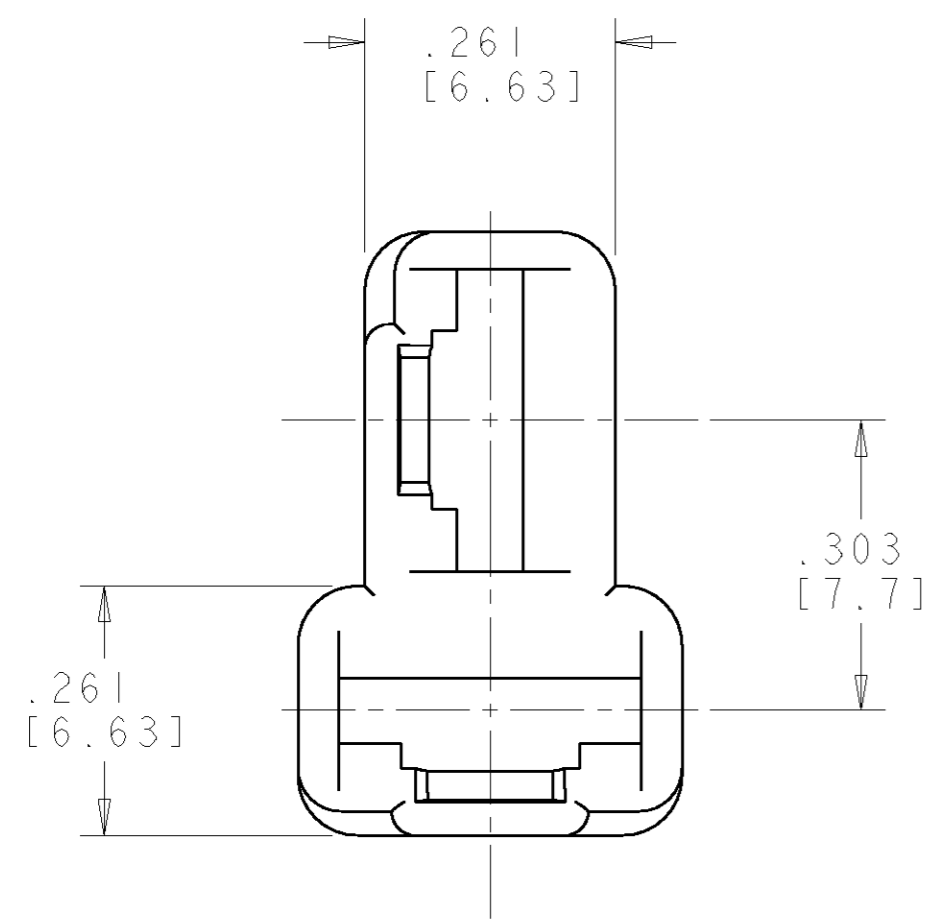
3

2

1

THIS DRAWING IS UNPUBLISHED. RELEASED FOR PUBLICATION 20
 © COPYRIGHT 20 BY TYCO ELECTRONICS CORPORATION. ALL RIGHTS RESERVED.

LOC	DIST	REVISIONS					
		P	LTR	DESCRIPTION	DATE	DWN	APVD
AF	50		U	REV PER 0G3A-0824-03	01JUL2004	RCF	KY
			V	REVISED PER 0G3A-0122-05	24FEB2005	MF	KR



1. ACCEPTS .250 FASTON 42281, 42904, 60249, 60634, 61127, 61041, AND 62733.

	BLACK	NYLON	480115-3
OBSOLETE	NATURAL	NYLON	480115-2
OBSOLETE	BLACK	ABS	480115-1
	COLOR	MATERIAL	PART NUMBER

<small>THIS DRAWING IS A CONTROLLED DOCUMENT FOR TYCO ELECTRONICS CORPORATION IT IS SUBJECT TO CHANGE AND THE CONTROLLING ENGINEERING ORGANIZATION SHOULD BE CONTACTED FOR THE LATEST REVISION.</small>		DWN R FLAIG 14MAY2002 CHK N DEIBERT 14MAY2002 APVD N DEIBERT 14MAY2002	AMP Tyco Electronics Harrisburg, PA 17105-3608
DIMENSIONS: INCHES [mm]	TOLERANCES UNLESS OTHERWISE SPECIFIED: 0 PLC ± 1 PLC ± 2 PLC ± 3 PLC ±.015 [0.38] 4 PLC ± ANGLES ±2° FINISH	PRODUCT SPEC - APPLICATION SPEC - WEIGHT -	NAME 2 CIRCUIT T FASTIN-FASTON RECEPTACLE HOUSING
MATERIAL -		CUSTOMER DRAWING	SIZE A2 CAGE CODE 00779 DRAWING NO. 480115 RESTRICTED TO - SCALE 5:1 SHEET 1 OF 1 REV V